

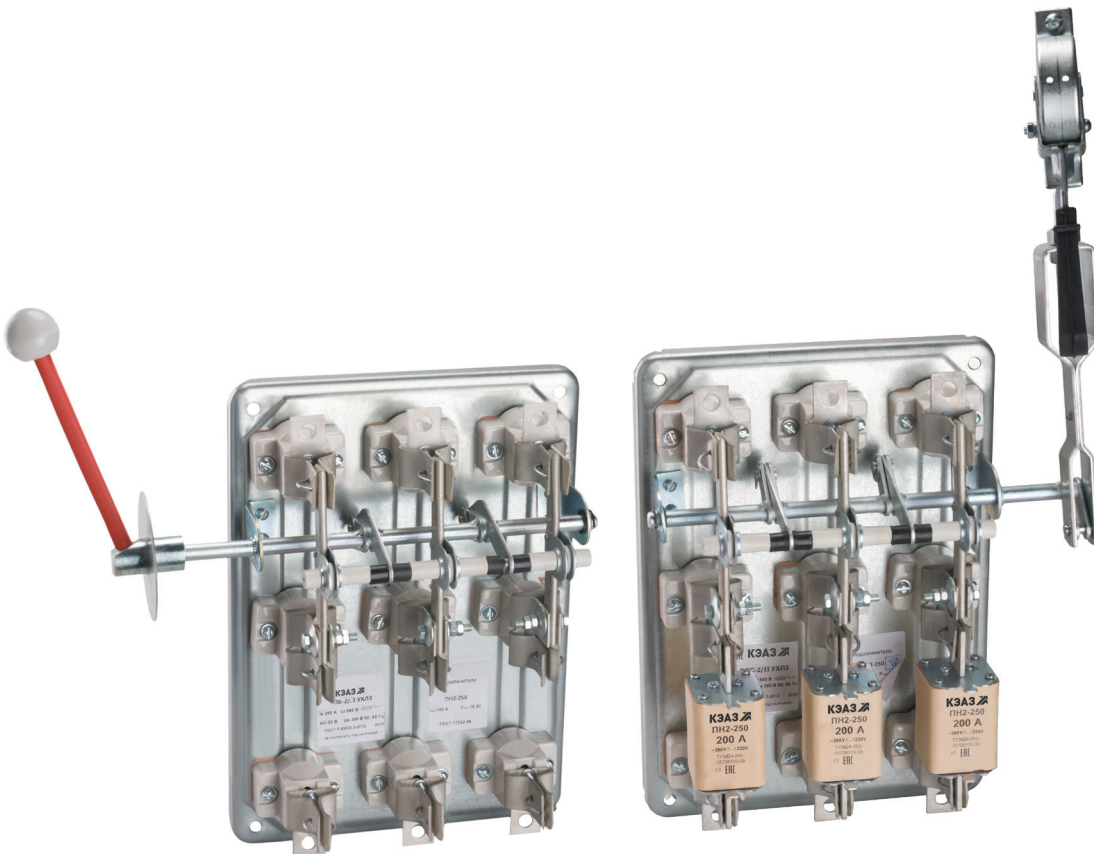
Fuse disconnectors of RP series

TU3424-063-05758109-2012

Comply with the requirements of GOST R 50030.3



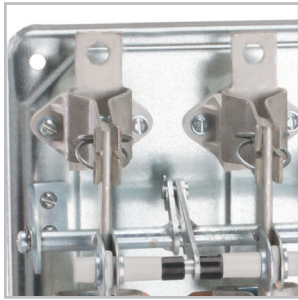
Designed to pass the rated currents of switching on and off, as well as infrequent (not more than 5 per hour) non-automatic switching of AC electrical circuits with a frequency of 50 Hz, voltage up to 500 V in electrical energy distribution devices.



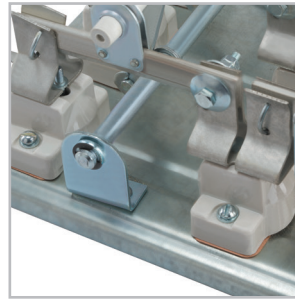
Benefits

- Implementation of any technical solutions
 - Full range of products for currents from 100 to 1600 A;
 - various types of manual drive.
- Ensuring reliable operation and safety of operation
 - knife-type contact system with visible open circuit;
 - use of fuses allows to organize protection against short circuit and overload;
 - current-carrying elements made of electrical copper of grade M1;
 - use of mechanically strong and non-burning plastic materials.
- Advanced applications
 - possibility of application in harsh environments - climatic modification UHL.

Design features



The necessary contact pressure is provided by the springs on the contact racks and spherical washers on the hinge racks.



The main parts of the disconnecter are knives, contact and axial racks mounted on a common plate. All threaded connections are protected from loosening.



The design of the disconnecters allows to install fuses of series PPN and PH2 (depending on the rated current).



Premix insulators provide high tracking resistance, durability and reliable insulation of live parts.

Designation structure

Fuse disconnecter RP X₁-X₂X₃/2X₄-X₅...A-X₆X₇-UHL3-X₈-KEAZ

Fuse disconnecter	- Product group
RP	- Series
X ₁	- Type of manual drive: Б - lateral displaced handle; С - front displaced handle; Ц - central drive
X ₂ X ₃	- Designation of conventional thermal current: 1 - 100 A; 2 - 250 A; 4 - 400 A; 6 - 630 A; 10 - 1000 A; 16 - 1600 A
2	- Shaft length - 205 mm
X ₄	- Drive version: L - left; P - right
X ₅ ...A	- Rated current, A: 100; 250; 400; 630; 1000; 1600
X ₆ X ₇	- Completeness with fusible inserts: Without PV - without fusible inserts; PV - with fusible inserts
UHL3	- Climatic category and category of placement
X ₈	- Type of acceptance: AES, PZ, REG
KEAZ	- Trademark

Example of the record of the designation of the Fuse disconnecter with the front displaced handle, the left drive to the rated current 100 A, without fusible inserts, climatic category UHL3:




Fuse disconnecter RPC-1/L-100A-Without PV-UHL3-KEAZ

Specifications

Parameter name	Typical version						
	RPS-1 RPB-1 RPC-1	RPS-2 RPB-2 RPC-2	RPS-4 RPB-4 RPC-4	RPS-6 RPB-6 RPC-6	RPS-10 RPB-10 RPC-10	RPS-16 RPB-16 RPC-16	
Rated operating voltage, (U_e), V	380AC			500AC			
Rated current, (I_e), A	100	250	400	630	1000	1600	
Rated frequency of alternating current, Hz	50 and 60						
Rated switching on and off capacity at voltage $1.05 U_e$, power factor 0.95, at a current of $1.5 I_e$, on/off cycles	10						
Rated conditional short-circuit current (I_{cc}), kA	20		30	32	50		
Built-in fuse links	PN2-100	PN2-250	PN2-400	PPN-39	PPN-41	PPN-41	
Rated current of fuse links, A	100	250	400	630	1000	1601	
Maximum power losses of fuse links, W	16	34	56	48	84	90	
Wire and cable core cross-section, mm ²	- min	10	70	120	150	8x60 or 3x150	2 (8x60)
	- max	50	150	3x120	4x120	2 (6x60) or 6 (3x120)	2 (10x60)
Rate operating mode	continuous						
Degree of protection	IP00						
Protection class against electric shock according to GOST 12.2.007.0	0						
Category of application in accordance with GOST P 50030.3	AC-20 V						
Mechanical wear resistance, on/off cycles, not less than	2500						

Item numbers

	Name	Rated current, A	Rated voltage, V	Rated conditional short circuit current, (I_{cc}), kA	Item number
	RPB-1L-100A-without PV-UZ	100	380	20	111457
	RPB-1P-100A-without PV-UZ	100	380	20	111458
	RPB-1P-100A-PV100A-UHL3	100	380	20	120032
	RPS-1L-100A-without PV-UZ	100	380	20	111465
	RPS-1L-100A-PV100A-UHL3	100	380	20	120028
	RPS-1P-100A-without PV-UZ	100	380	20	111466
	RPS-1P-100A-PV100A-UHL3	100	380	20	120022
	RPC-1-100A-without PV-UZ	100	380	20	111473
	RPB-2L-250A-without PV-UZ	250	380	20	111459
	RPB-2L-250A-PV250A-UHL3	250	380	20	120052
	RPB-2P-250A-without PV-UZ	250	380	20	111460
	RPB-2P-250A-PV250A-UHL3	250	380	20	120051
	RPS-2/2P-250A-PV250A-UHL3	250	380	20	120042
	RPS-2L-250A-without PV-UZ	250	380	20	111467
	RPS-2L-250A-PV100A-UHL3	250	380	20	120048
	RPS-2L-250A-PV160A-UHL3	250	380	20	120045
	RPS-2L-250A-PV250A-UHL3	250	380	20	120044
	RPS-2P-250A-without PV-UZ	250	380	20	111468
	RPS-2P-250A-PV160A-UHL3	250	380	20	120038
	RPS-2P-250A-PV200A-UHL3	250	380	20	120037
	RPS-2P-250A-PV250A-UHL3	250	380	20	120036
	RPC-2-250A-without PV-UZ	250	380	20	111474
	RPC-2-250A-PV250A-UHL3	250	380	20	120053
	RPB-4L-400A-without PV-UZ	400	380	30	111461
	RPB-4L-400A-PV400A-UHL3	400	380	30	120061
	RPB-4P-400A-without PV-UZ	400	380	30	111462
	RPB-4P-400A-PV400A-UHL3	400	380	30	120060

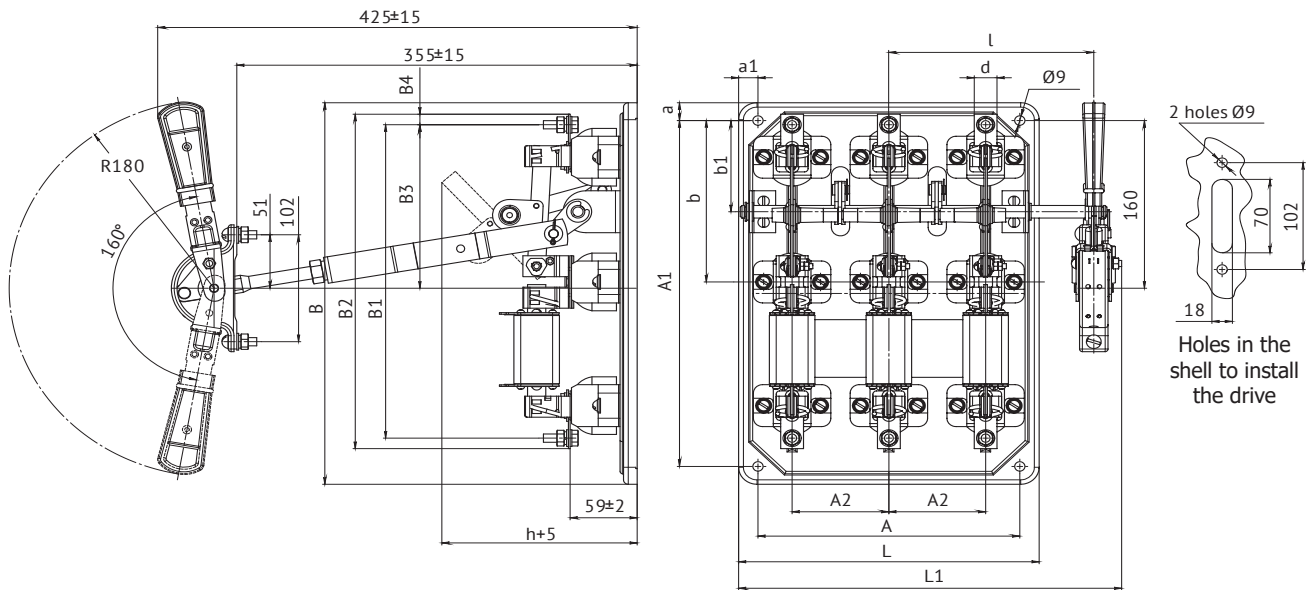
	Name	Rated current, A	Rated voltage, V	Rated conditional short circuit current, (I _{cc}), kA	Item number
  	RPS-4/2L-400A-without PV-UHL3	400	380	30	120059
	RPS-4/2P-400A-without PV-UHL3	400	380	30	120057
	RPS-4L-400A-without PV-UZ	400	380	30	111469
	RPS-4L-400A-PV400A-UHL3	400	380	30	120058
	RPS-4P-400A-without PV-UZ	400	380	30	111470
	RPS-4P-400A-PV315A-UHL3	400	380	30	120056
	RPS-4P-400A-PV355A-UHL3	400	380	30	120055
	RPS-4P-400A-PV400A-UHL3	400	380	30	120054
	RPC-4-400A-without PV-UZ	400	380	30	111475
	RPC-4-400A-PV400A-UHL3	400	380	30	120062
	RPB-6L-630A-without PV-UZ	630	380	32	111463
	RPB-6L-630A-PV630A-UHL3	630	380	32	220028
	RPB-6P-630A-without PV-UZ	630	380	32	111464
	RPB-6P-630A-PV630A-UHL3	630	380	32	120067
	RPS-6L-630A-without PV-UZ	630	380	32	111471
	RPS-6L-630A-PV630A-UHL3	630	380	32	120066
	RPS-6P-630A-without PV-UZ	630	380	32	111472
	RPS-6P-630A-PV355A-UHL3	630	380	32	120065
	RPS-6P-630A-PV630A-UHL3	630	380	32	120063
	RPC-6-630A-without PV-UZ	630	380	32	111476
	RPC-6-630A-PV630A-UHL3	630	380	32	120069
	RPB-10P-1000A-without PV-UZ	1000	500	50	114081
	RPB-10P-1000A-PV1000A-UHL3	1000	500	50	120078
	RPB-10P-1000A-PV800A-UHL3	1000	500	50	120079
	RPS-10/2L-1000A-without PV-UHL3	1000	500	50	120077
	RPS-10/2L-1000A-PV1000A-UHL3	1000	500	50	120076
	RPS-10/2P-1000A-PV1000A-UHL3	1000	500	50	120073
	RPS-10L-1000A-without PV-UZ	1000	500	50	118305
	RPS-10L-1000A-PV1000A-UHL3	1000	500	50	120074
	RPS-10L-1000A-PV800A-UHL3	1000	500	50	120075
	RPS-10P-1000A-without PV-UZ	1000	500	50	118306
	RPS-10P-1000A-PV1000A-UHL3	1000	500	50	120070
	RPS-10P-1000A-PV630A-UHL3	1000	500	50	120072
	RPS-10P-1000A-PV800A-UHL3	1000	500	50	120071
	RPC-10-1000A-without PV-UHL3	1000	500	50	120081
	RPC-10-1000A-PV1000A-UHL3	1000	500	50	120082
RPB-16P-1600A-PV1600A-UHL3	1600	500	50	120089	
RPS-16L-1600A-without PV-UHL3	1600	500	50	120087	
RPS-16L-1600A-PV1600A-UHL3	1600	500	50	120088	
RPS-16P-1600A-without PV-UHL3	1600	500	50	120083	
RPS-16P-1600A-PV1600A-UHL3	1600	380	50	120084	

Delivery set

Name	RPS	RPB	RPC
Fuse disconnectors	+	+	+
Fasteners for mounting external conductors	+	+	+
Operational documentation	+	+	+

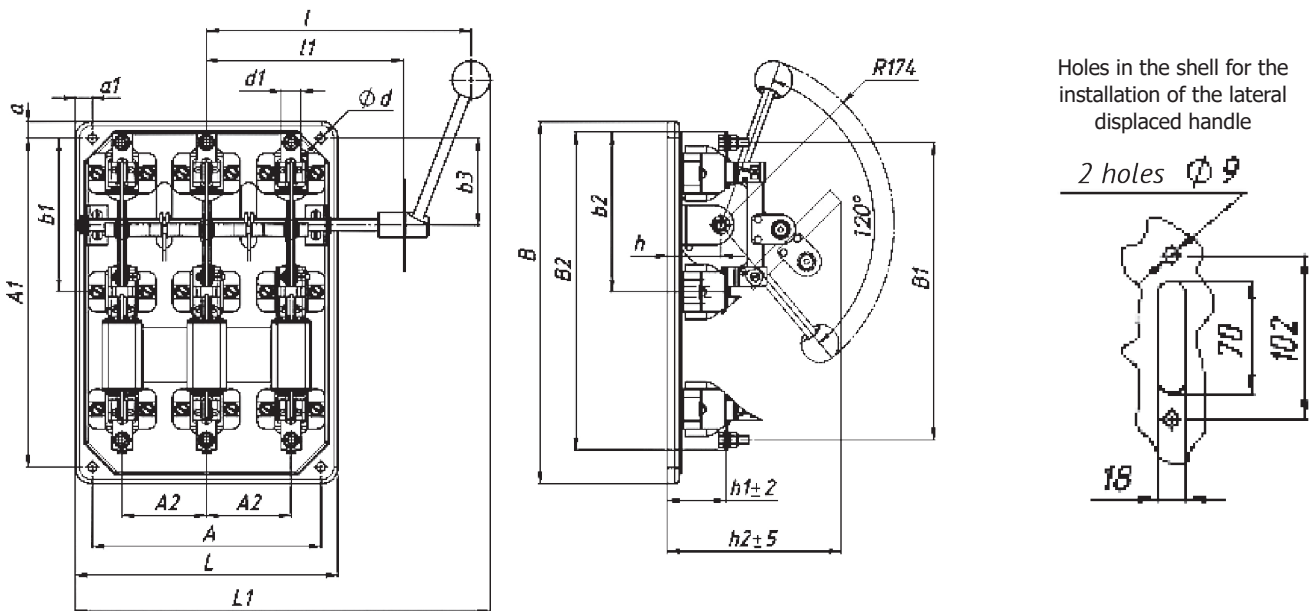
Overall dimensions and weight

With displaced front handle



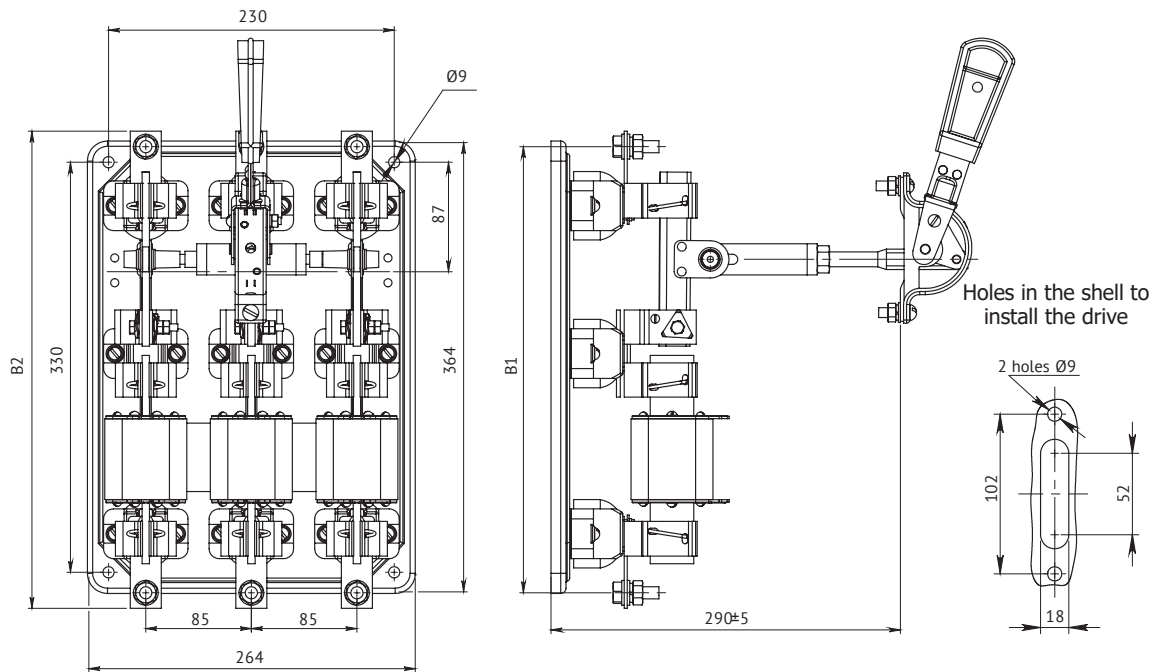
Typical version	Dimension, mm																Weight, not more, kg			
	A	A1	A2	a	a1	B	B1	B2	B3	B4	b	b1	d	h	L	L1	I	w/o fuse inserts	with fuse inserts	
RPS-1							299	319	156	10	154			172					4	4.9
RPS-2	230	330	85	17	17	364	315	340	166.5	12.5	164	87	9	190	264	336.5	180	4.8	6.32	
RPS-4							359	384	185	12.5	154			193				5.8	8.3	
RPS-6	300	345	120	11.5	20	368	380.5	416.5	177	18	173	90		205	340	420	225	7.8	10.5	

With displaced lateral handle



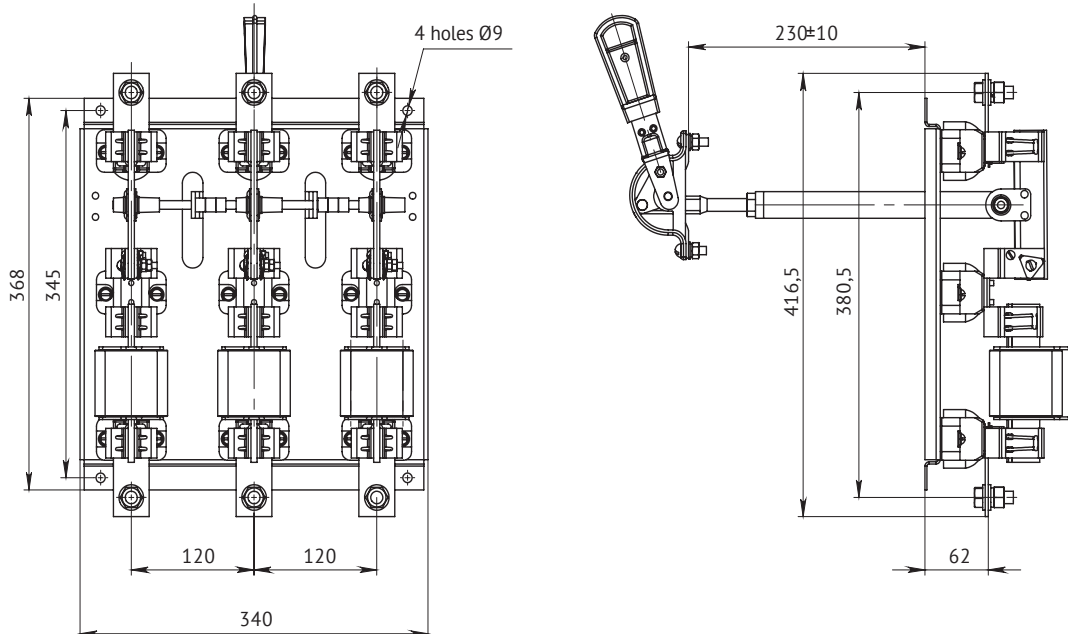
Typical version	Dimension, mm														Weight, kg	
	A	A1	A2	L	L1	B	B1	B2	I	I1	b1	b2	d	d1		
RPB-1							299	319			154	160		20	4.9	
RPB-2	230	330	85	264	336.5	364	315	340	180	197.5	164	170.5	9	25	7.51	
RPB-4							359	384			154	179		9.2		
RPB-6	300	345	120	380	439.5	368	380.5	416.5	225	242.5	173	184.5		35	11.05	

With central drive for currents of 100 A, 250 A and 400 A



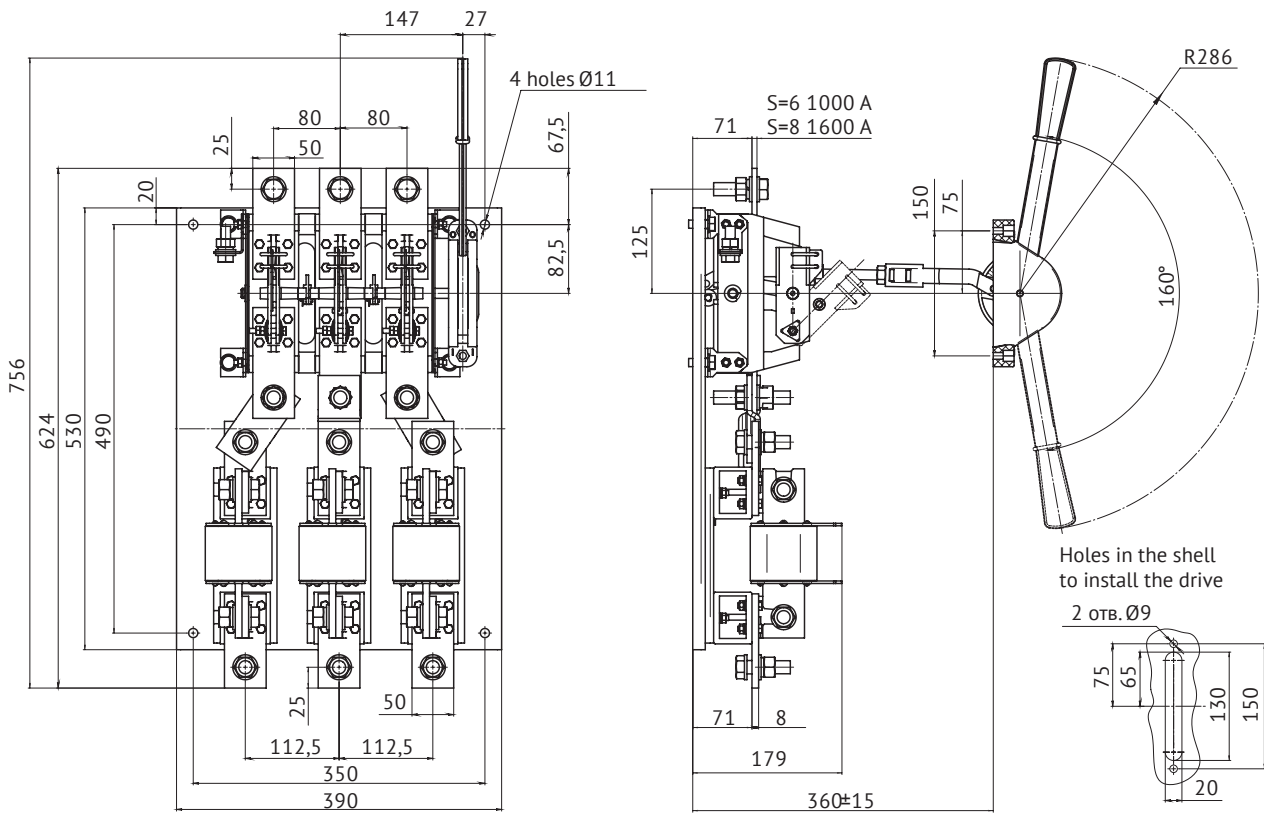
Typical version	Conditional heat current	Dimension, mm		Weight, kg
		B1	B2	
RPC-1	100	299	319	4,9
RPC-2	250	315	340	6,32
RPC-4	400	359	384	8,3

With central drive for current 630 A (RPC-6)



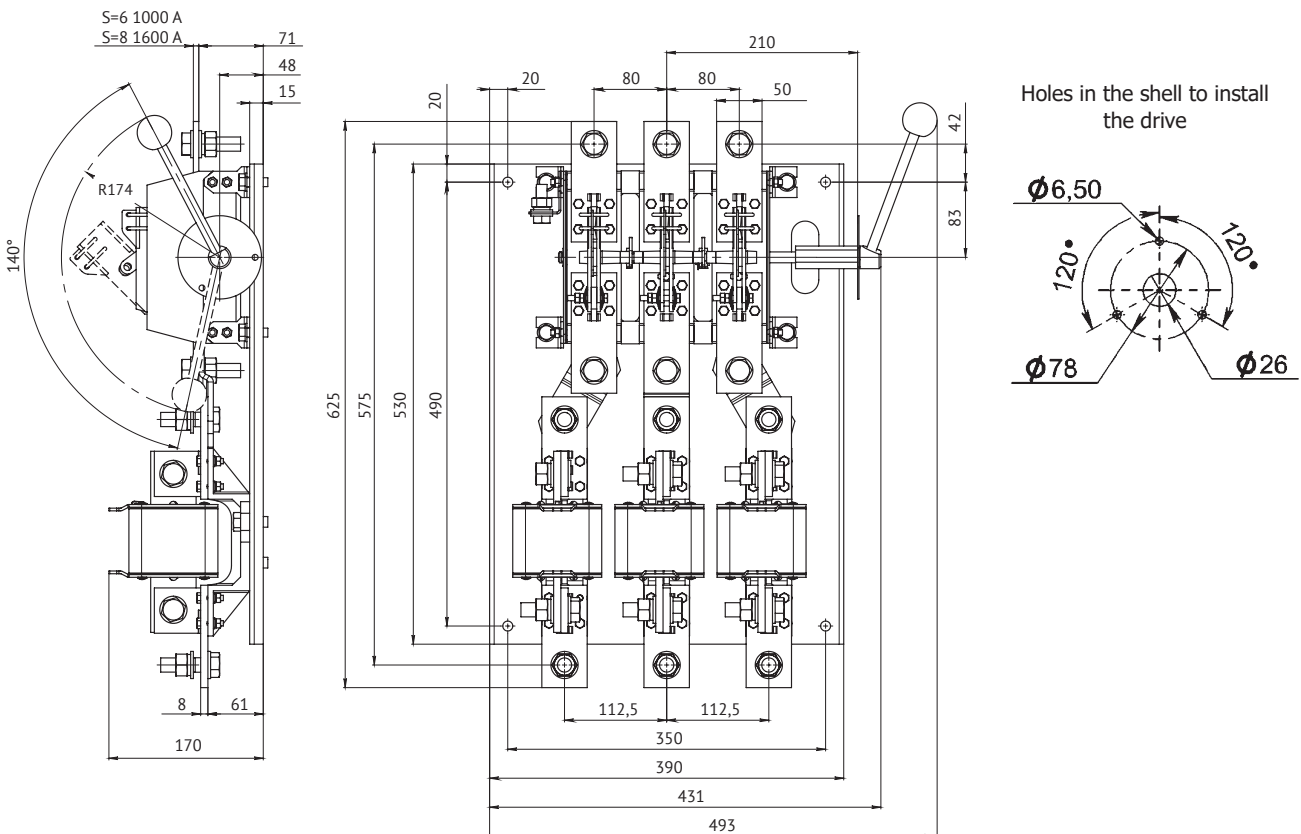
Mass, not more than - 10.5 kg

With the front displaced handle on the current 1000 A and 1600 A (RPS-10, RPS-16)



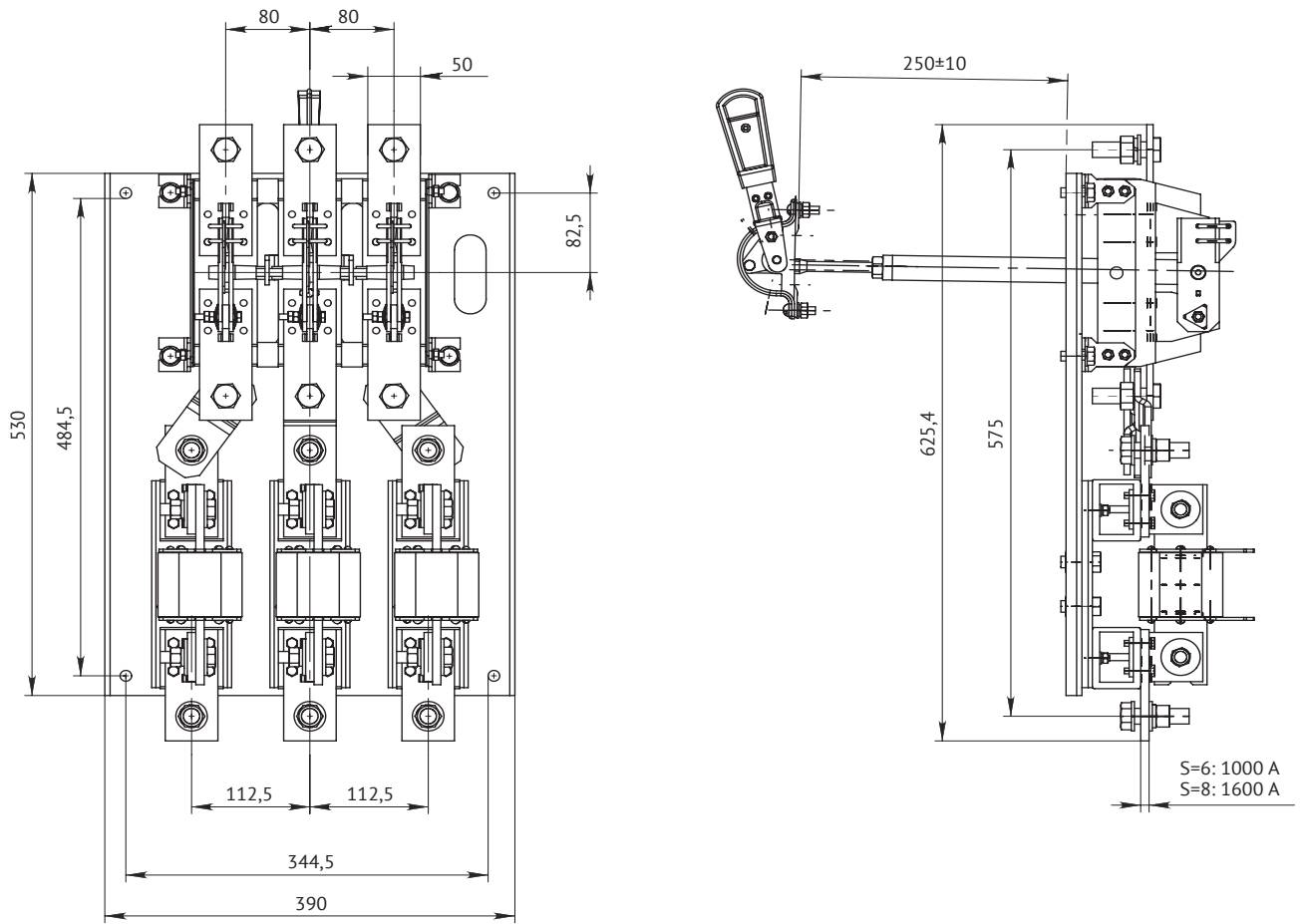
Weight, not more than: RPS-10 - 26.35 kg
RPS-16 - 29.3 kg

With the lateral displaced handle on the current 1000 A and 1600 A



Weight, not more than: RPB-10 - 26.35 kg
RPB-16 - 29.3 kg

With the central drive on the current 1000 A and 1600 A (RPC-10, RPC-16)



Weight, not more than: RPC-10 - 26.35 kg
RPC-16 - 29.3 kg